

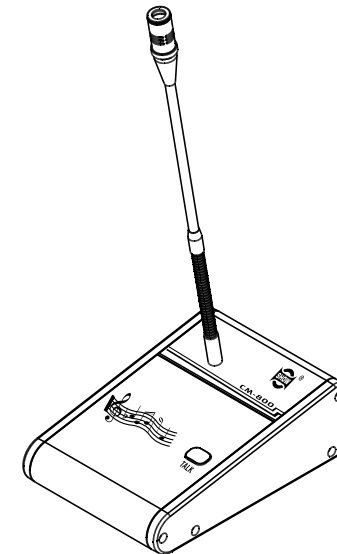


# CM-800

## INSTRUCTION MANUAL

---

---



## 1. PREFACE

Welcome to purchase our pre-microphone, the microphone platform is designed for amplifiers specially. And allows the user to work with the quality of microphone with indication condenser cartridge and goose-neck pliable sleeve. The unit features a clear sound and low feedback, etc.. There is simple operation of single key, and also feature pre-sound function. You can be reminded by four stage musical before and after display. Make LED of Panel and goose-neck cycle loop can decrease send wrong message. Microphone jack work with 6.3Φ mic wire outlet, it can use balanced outlet when connecting in advance, and which can connect with broadcasting equipment.

Panel cover is made of aluminum alloy, die cast is artistic and it is durable and lasting. It's apply to airport, restaurant, school, canteen and supermarket, etc..

### Note:

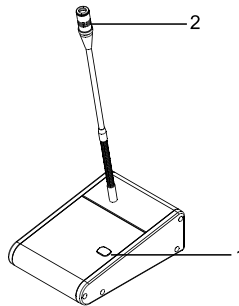
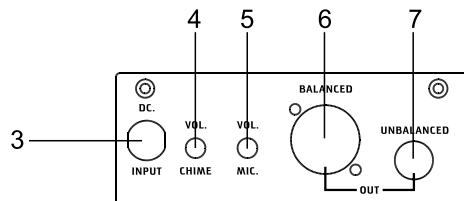
Install unit in well ventilated and humidity-resistant locations.

Avoid close high temperature equipment or fire.

When the unit needs a cleaning, you can clean it with slight wet rag. You must not use volatility fluids.

## 2. FRONT PANEL CONTROL AND CONNECTION TERMINAL ILLUSTRATION

1. TALK-----broadcasting SW control button
2. MICROPHONE-----broadcasting speak microphone
3. DC INPUT-----work with DC15V power which voltage transformer
4. CHIME VOL.-----adjust volume of prelude musical
5. MIC VOL.-----adjust volume of microphone
6. BALANCED OUT-----balanced output socket
7. UNBALANCED OUT-----unbalanced output socket



## 3. OPERATION

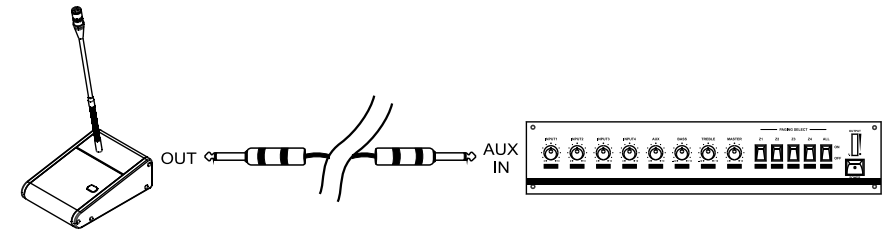
Push down the button and its inner light twinkles represents chime before broadcasting, and it stops twinkle and lights up represent speak with microphone. If you push down the button again, light twinkle represent prelude musical before finish broadcasting, light off and turn off the unit.

Microphone neck LED lights up represent you can speak with microphone, Microphone neck LED lights off represent microphone is turned off.

## 4. CONNECTION WIRE

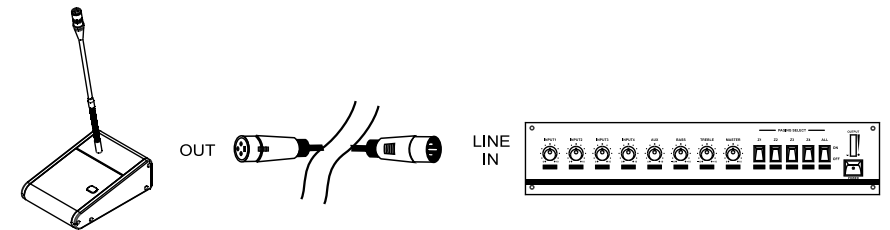
### 4.1 unbalanced

Output jack use with MONO 6.3Φ signal plug connection wire, it outputs to AUX of amplifier as amplify signal output. We advise length of assembly wire within 5M.



### 4.2 balanced

Output jack use with XLR balanced signal plug connection wire, it outputs the signal to LINE of amplifier as amplify signal output. We advise use this output jack as signal output if length of assembly wire over 5M.



## 5. SPEC.

Power voltage	Voltage transformer 240V/50Hz/DC 15V 400mA 120V/60HZ/DC15V 400mA/230V/50Hz/DC15V 500mA
chime	440, 554, 659, 880HZ four stage musical
Microphone	Condenser microphone cartridge
Unbalanced output	110mV 10mV
Balanced output	230mV 10mV
Appearance size	132(W)X155(D)X380(H)mm
	5.2"(W)X6.1"(D)X15"(H)
Weight	0.8Kg(1.82b)
Output signal wire	6.3Φ x5x6.3Φ(MONO)X5 feet