

CAUTION FOR USING POWER LINE

- You shall hold the plug firmly to avoid the pull-out of power line and risk occurring when you pull the power line out from AC outlet.
- The plug of power line for this unit should be pulled out from power outlet to cut down the power supply, when this unit isn't used for a long period.
- Don't force any matter on the power line of this system to avoid the damaging power line and don't insert the knotted power line into unit.

This broadcast system, main unit, should be placed on a solid

surface with a minimum distance of 1 m from the back or side plate to the wall and rot in the following environments of cases:

- Moist place;
- Under direct radiation of sunlight or other strong heat radiation;
- No air ventilation:
- To prevent the risk of fire or electrical shock, never expose this equipment to rain or dampnes

HANDLING THIS UNIT

Check if the power supply is being shut down, the power line is pulled out from outlet and other lines connecting this unit are also disconnected.

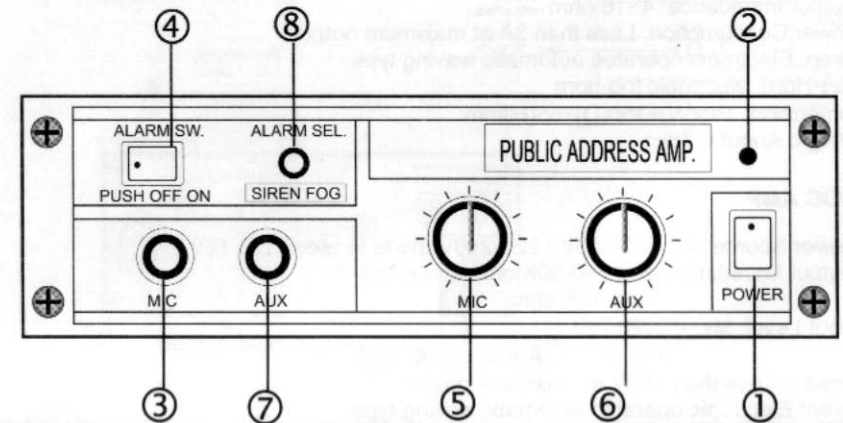
DON'T DISASSEMBLE THIS UNIT

Don't disassemble and repair the unit by yourself, otherwise if may induce electric shock or fires. If you can't remedy any occurred trouble according to the methods described in the Last of this manual, you must call a qualified technician or consult with our company, A forced using if may cause electric shock or fires.

CLEANING

When the unit needs a cleaning, you can blow off dust from the unit with a blower or clean with rag etc. Don't use solvents such as ben. zol, thinner, alcohol or other fluids with very stornq volatility and flammability for cleaning the unit body.

Face panel



- ① Power on-off switch.....Push to turn ON/OFF.
- ② Power indicator.....LED will be lighted when power is ON.
- ③ Microphone jack.....Connects to included microphone.
- ④ Alarm switch.....Push to turn, push OFF/ON.
- ⑤ Microphone volume.....Adjusts the microphone input level.
- ⑥ Aux. volume.....adjusts volume of equipmemt connected to
⑦ Aux. Aux.2.
- ⑦ Aux. line input
- ⑧ Alarm selector.....Raise the lever to start siren lower for fog.

Specifications

ONLY DC AMP

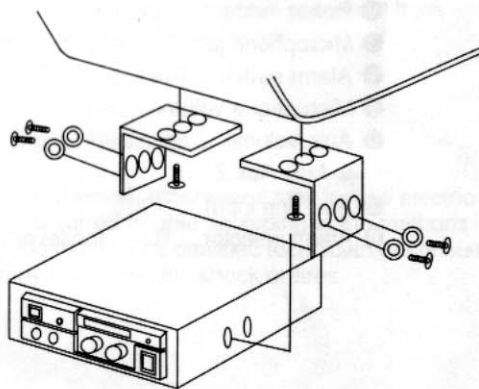
Power Source: DC12V(11-16V standard 14.5V)
 Input Impedance: Mic 200-50K ohm adaptable
 Aux 10K ohm
 Input Level: Mic -50dB ± 1dB (for rated output)
 Aux -22dB ± 1dB
 Output Impedance: 4~16 ohm
 Power Consumption: Less than 3A at maximum output
 Siren: Electronic operated automatic waving type
 Fog-Horn: electronic fog-horn
 Dimension: 155(W)×150(D)×65(H)mm
 Weigh: About 0.78kg

AC/DC AMP

Power Source: AC 110-120V / 220-240V made to order; DC 12V
 Output Impedance: Mic 200-50K ohm adaptable
 Aux 10K ohm
 Input Level: Mic -50dB±1dB
 Aux. Aux-1. Aux-2: -22dB±1dB (for rated output)
 Power : Less than 10 W at maximum output
 Siren: Electronic operated automatic waving type
 Fog-horn: Electronic fog-horn
 Dimension: 155(W)×150(D)×65(H)
 Weight: 1.33kg

ACCESSORIES

Mounting Bracket 2pc
 Screw & Nuts 1set
 Power Cable 1pcs

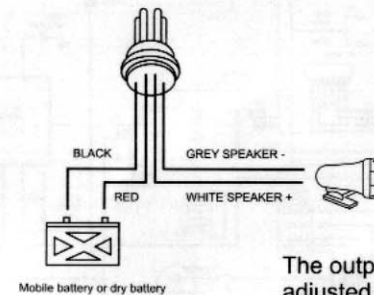
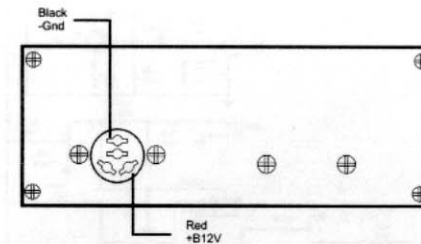
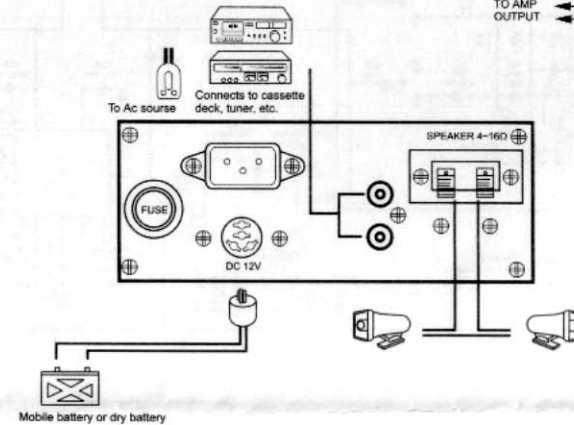
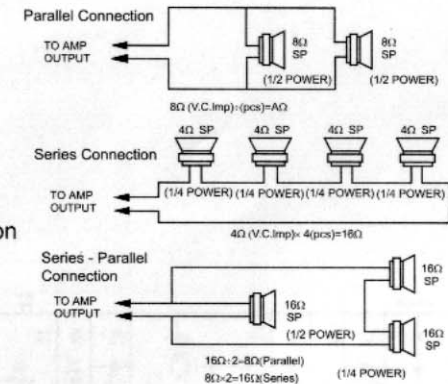


INSTALLATION

Use Screws/Bracket as per drawing.

LOUD SPEAKER CONNECTION

This connection is quite important, users should pay great attention to match the amplifier output impedance to the loud speaker (s) or loud speaker group to be connected (load), in order to obtain the best result.
 Some example of most popular connection are as follows.



The output impedance of this set is automatically adjusted to 4-16 ohms, therefore, any speaker, 4-16 ohms, can be connected.