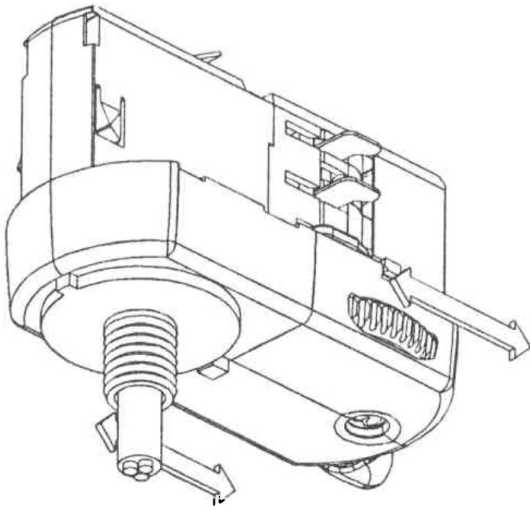
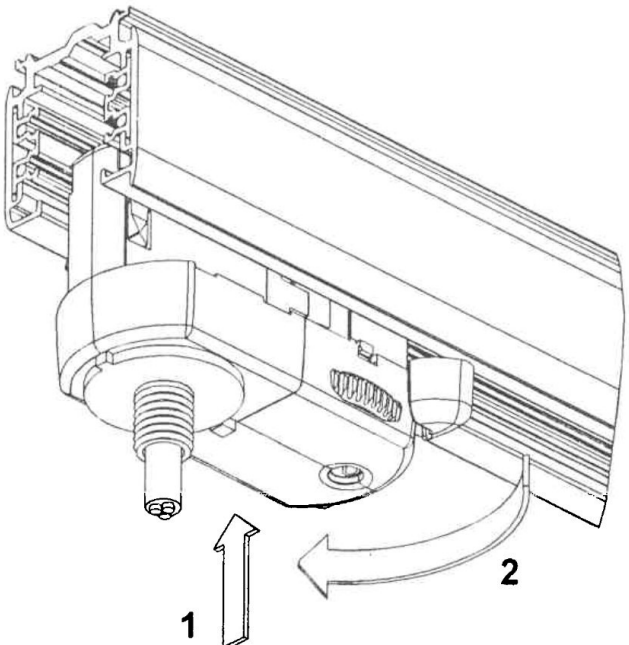


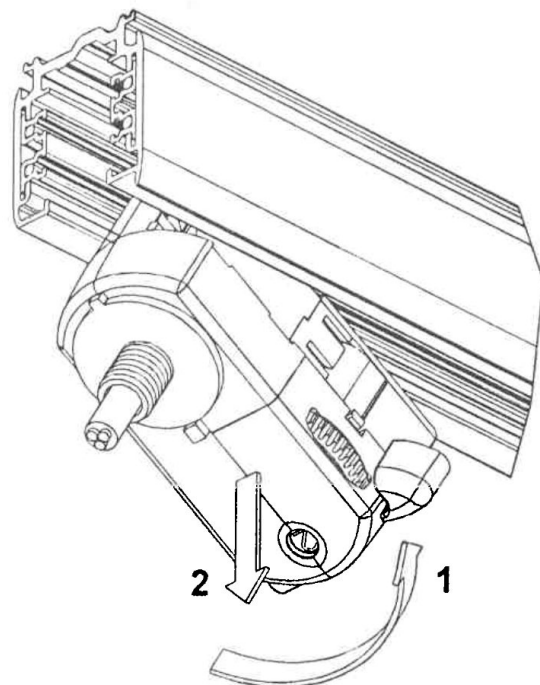
# Track Adapter



Choose the phase (1, 2, or 3) before fastening into the track or afterwards.



Fastening of the adapter



Removing the adapter