

TECHNICAL SPECIFICATIONS

Max. Output power40W
Frequency Response62Hz ~18kHz
THD.....<1% @ 1kHz
Speaker Drivers.....LF: 8 inch (20cm) Cone
HF: 1 inch (2.54cm) Compression Driver
Audio InputsXLR for microphone, 1/4 inch for instrument,
RCA for CD player,3.5mm stereo mini input
jack for line source.
Audio output..... 6.3mm (1/4 inch) phone jack for recorder
or additional pps-06-system.
Power Requirements.....Internal 1x12v /7.0AH recharging battery or
external power supply
Recharging time.....5 hours charging, 8-10 hours operation
Enclosure Material.....PP
Grill.....Perforated Steel Grill, powder coated
Finish.....Black
Mounting.....Integral 1 3 /8-inch Pole Mount Receptacle
Dimensions(W*D*H).....320*310*455mm
Weight(Kg).....8.0

KARMA[®]
www.karmaitaliana.it

OWNER'S MANUAL

BM 881

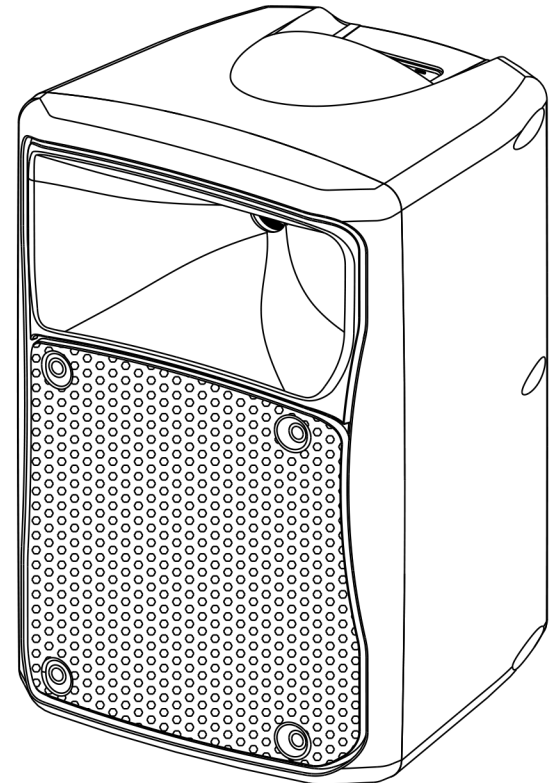
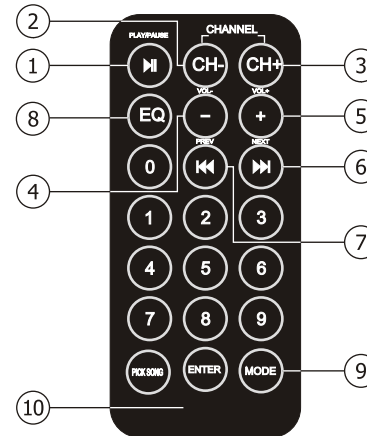


Table of Contents

IMPORTANT SAFETY SYMBOLS.....	3
Introduction.....	4
Caution.....	4
Unpacking.....	4
Main Features.....	5
Controls and Features.....	6
Typical speaker output setup.....	7
How to connect EGG-DNU5000-SO.....	7
Rear panel description.....	8
Mp3 player.....	10
Remote control.....	11

Remote control



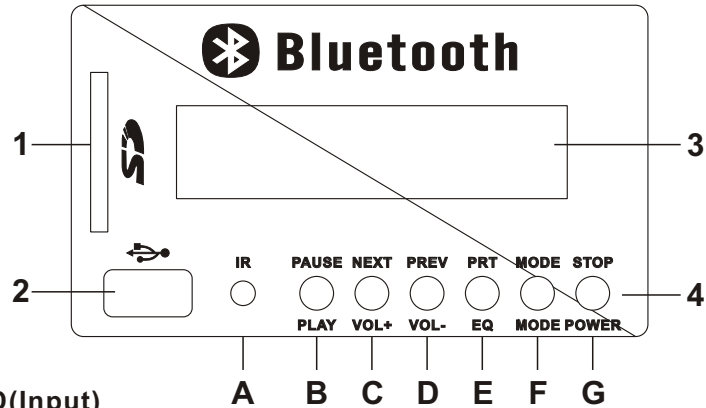
This device features all necessary push-switch selectable functions to easily operate your Mp3 reader at a distance of up to 3 metres from your audio installation.

For details, please refer to the functions explained above on this page in paragraph, unless otherwise specified . The remote control included with your product may vary from the one pictured here ,depending on the region where it was originally purchased.

1. PLAY/PAUSE(see 4.A.)
2. FM CHANNEL -
3. FM CHANNEL +
4. VOLUME -
5. VOLUME +
6. FORWARD
7. BACK
8. EQ SELECT
9. USB/SD/BLUETOOTH

10. BATTERY -The remote control unit needs a Cr2025 button-cell Battery to operate. In case of malfunction, always replace with the same type of battery. Dispose properly of the used battery for waste and recycling purposes.

Mp3 Player



1.SD(Input)

This slot is used to insert a SD, non-volatile memory card with Mp3 files to be read.

2.USB(Input)

In this port , plug in any USB memory stick with Mp3 files to be played.

3.LCD

This large, blue LCD screen displays all relevant information about the function being selected or the Mp3 file being played.

4.FUNCTION SELECTOR:

This section provides front-selectable push switches , allowing you to choose between one

A. IR Remote

B. Play /Pause

- Press this button once to play the chosen song . Press it again to momentarily interrupt the playing.
- Press and hold this button to pause the reading of the song .

C. Next /Vol+

- Press this button once to go to the next song.
- Press and hold this button to increase the volume of the Mp3 reader.

D. Previous /Vol-

- Press this button once to come back to the previous song.
- Press and hold this button to lower the volume of the Mp3 reader.

E. Repeat /EQ

- Press this button once to play the current song repeatedly until the stop steps is activated.
- Press and hold this button to select among different types of equalization applied to the song currently playing.

F. USB /SD/BLUETOOTH

- Press this button once to select USB and SD or BLUETOOTH

G. STOP/POWER

- Press this button once to stop the Mp3 player .
- Press and hold this button to turn on or turn off the Mp3 player..

IMPORTANT SAFETY SYMBOLS



Use only with the cart, stand, tripod, bracket, or table specified by the manufacturer, or sold with the apparatus. When a cart is used, use caution when moving the cart/apparatus combination to avoid injury from tip-over.



The symbol is used to indicate that some hazardous live terminals are involved within this apparatus, even under the normal operating conditions, which may be sufficient to constitute the risk of electric shock or death.



The symbol is used in the service documentation to indicate that specific component shall be replaced only by the component specified in that documentation for safety reasons.



Protective grounding terminal



Alternating current/voltage



Hazardous live terminal

ON: Denotes the apparatus is turned on

OFF: Denotes the apparatus is turned off.

WARNING: Describes precautions that should be observed to prevent the danger of injury or death to the operator.

CAUTION: Describes precautions that should be observed to prevent danger of the apparatus.

1. IMPORTANT SAFETY INSTRUCTIONS

• Read these instructions.

• Keep these instructions.

• Heed all warning.

• Follow all instructions.

• Water & Moisture

The apparatus should be protected from moisture and rain, can not used near water, for example: near bathtub, kitchen sink or a swimming pool, etc.

• Heat

The apparatus should be located away from the heat source such as radiators, stoves or other appliances that produce heat.

• Ventilation

Do not block areas of ventilation opening. Failure to do could result in fire. Always install accordance with the manufacturer's instructions.

• Object and Liquid Entry

Objects do not fall into and liquids are not spilled into the inside of the apparatus for safety.

• Power Cord and Plug

Protect the power cord from being walked on or pinched particularly at plugs, convenience receptacles, and the point where they exit from the apparatus.

Do not defeat the safety purpose of the polarized or grounding-type plug. A polarized plug has two blades with one wider than the other. A grounding type plug has two blades and a third grounding prong. The wide blade or the third prong is provided for your safety. If the provided plug does not fit into your outlet, refer

to electrician for replacement.

• Power Supply

The apparatus should be connected to the power supply only of the type as marked on the apparatus or described in the manual. Failure to do could result in damage to the product and possibly the user.

Unplug this apparatus during lightning storms or when unused for long periods of time.

Where the MAINS plug or an appliance coupler is used as the disconnect device, the disconnect device shall remain readily operable.

• Fuse

To prevent the risk of fire and damaging the unit, please use only of the recommended fuse type as described in the manual. Before replacing the fuse, make sure the unit turned off and disconnected from the AC outlet.

• Electrical Connection

Improper electrical wiring may invalidate the product warranty.

• Cleaning

Clean only with a dry cloth. Do not use any solvents such as benzol or alcohol.

• Servicing

Do not implement any servicing other than those means described in the manual. Refer all servicing to qualified service personnel only.

• Only use accessories/attachments or parts recommended by the manufacturer.

Introduction

Congratulations and thank you for purchasing the EGG company EGG-DNU5000-SO portable sound system. This portable system is a representation of EGG company continuing commitment to produce the best and highest quality audio products possible at an affordable price. The EGG-DNU5000-SO is a compact PA system ideal for use in a variety of live sound applications. The EGG-DNU5000-SO is loud and clear, Producing a big sound in a surprisingly small package. The self contained PA features a 2-way speaker system employing a eight inch woofer and a 1-inch titanium tweeter, built-in amplifier (40 watts of internal power), rechargeable battery and one wireless microphone (UHF) and Mp3 player (With bluetooth) and iPHONE dock. A built-in handle makes travel easy . Other important features include a 6-channel mixer (one microphone, one instrument and CD input and Portable Music Player), A two-band equalizer is built-in for perfect sound adjustment . A line out with 1/4 phone jack is built-in for perfect sound adjustment . A line out with 1/4 phone jack enables two EGG-DNU5000-SO to be linked together . Other ECHO is built -In for microphone . All of these features combine to make the EGG-DNU 5000-SO a must-have for travelling presentations, small conferences, schools, classrooms, touring bands, clubs and karaoke .

Caution

There are no user serviceable parts inside this speaker. Do not attempt any repairs, without being instructed to do so by an authorized our company technician. Doing so will void your manufactures warranty . In the unlikely event your speaker may require service , Please contact our company.

Unpacking

Every EGG-DNU5000-SO has been thoroughly tested and has been shipped in perfect operating condition. Carefully check the shipping carton for damage that may have occurred during shipping. If the carton appears to be damaged carefully inspect your units for any damage and be sure all accessories necessary to operate the system have arrived intact. In the event damage has been found or parts are missing, please contact our toll free customer support number for further instructions. Please do not return the speaker to your dealer without first contacting customer support.

10. Clip Led

If this LED is lit it means your signal is clipping. To stop the signal from clipping lower the volume to the point where the LED is blinking along with the bass beat.

11. Battery Low

Battery low indicator.

12. Battery Mid

Battery mid indicator.

13. Battery Full

Battery full indicator

14. DC Power Inlet

Connect the supplied standard DC power adapter here

15. Main Power Switch

This is the main power ON/OFF button.

16. Fuse Holder

This housing stores the 3.15 amp GMA for 230V and 5 amp GMA for 100V protective fuse. Always replace with the exact same type of fuse.

17. Main Power Inlet

This connector is used to supply main power to the unit via the included detachable power cord.

18. Treble Control

This knob is used to regulate the amount treble applied to the output signal.

19. Bass Control

This knob is used to regulate the amount bass applied to the output signal.

20. Echo

This knob is used to regulate the volume of Echo

21. Ipod/Mp3

This knob is used to regulate the level of the IPOD or MP3 input

22. Link Out

1/4 inch phone jack connector used to link other speaker.

23 .P.W.

LED lights up to indicate the wireless microphone is on.

24 .RF

Diversity Indicator.

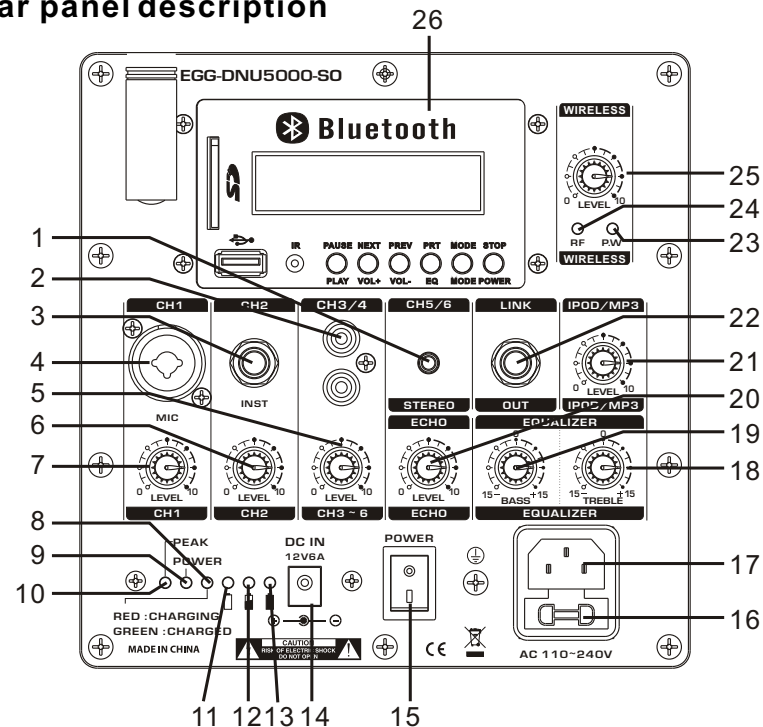
25 .Wireless Control

This knob is used to increase or decrease the volume of your wireless microphone.

26 .Mp3 Player

This is digital Mp3 Player(with bluetooth).

Rear panel description



1. Stereo Input

3.5mm input jack for Stereo in 5/6 for use with personal music players.

2. RCA Line Input

This connection is designed to accept a line input signal from a mixer or other line level device. Be sure to connect only line level input devices such as mixers and tape machines to this jack.

3. Instrument

1/4 inch phone jack connector used to connect instrument.

4. Microphone Input

Combo XLR plus 1/4 inch input for connecting microphone.

5. RCA Line/ Stereo Input Volume

This knob is used to regulate the volume of source connected to the Line or stereo level inputs.

6. Instrument Input Volume

This knob is used to regulate the volume of source connected to the Instrument level inputs.

7. Microphone Input Volume

This knob is used to increase or decrease the volume of your microphone

8. Battery Led

Show the status of the battery charge level.

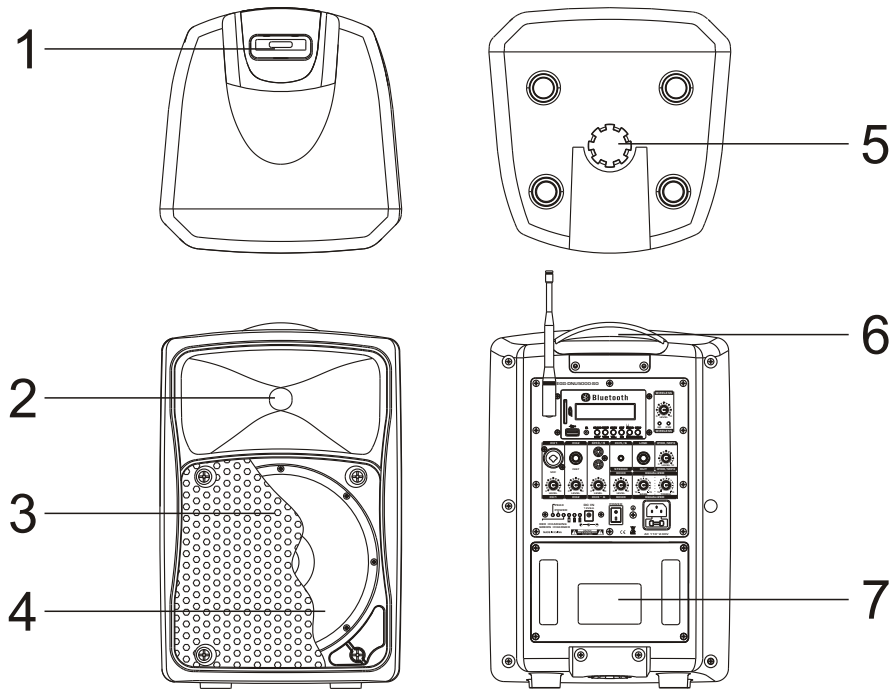
9. Power Indicator LED

LED lights up to indicate the speaker is on.

Main Features

1. 8-inch speaker system and a 40-watt power amplifier are built-in.
2. 6-channel mixer (one microphone, one instrument and cd input and portable Music Player).
3. All-in-one compact mobile wireless sound system, powered by an internal rechargeable battery.
4. UHF wireless receivers are built-in and includes one handheld transmitter.
5. Onboard two-band EQ for perfect sound adjustment.
6. Built-in ECHO featuring lush reverbs.
7. Built-in Mp3 player with Bluetooth.
8. STEREO input for connecting your Computer.
9. CD or Mp3 audio device.
10. Built-in iPod dock for great sounding, easy playback of just about any iPod model with 30-pin standard connector.
11. Built-in DC charging circuit.
12. Built-in rechargeable battery provides 8-10 hours operation.
13. Speaker can be used as main . This series are built using durable, thick-walled, solid polypropylene plastic construction and is finished in a sleek black texture.
14. With Car battery & Auto power supply.

Controls and Features



1. iPod dock

Built-in 30-pin standard iPod dock supports most iPod models.

2. High frequency transducer

This unit is used to reproduce the high frequency response.

3. Steel grill

Durable steel grill provides protection for , and easy access to woofer

4. Woofer

The high-powered woofer is used to reproduce the midrange and low frequencies.

5. Pole mount socket

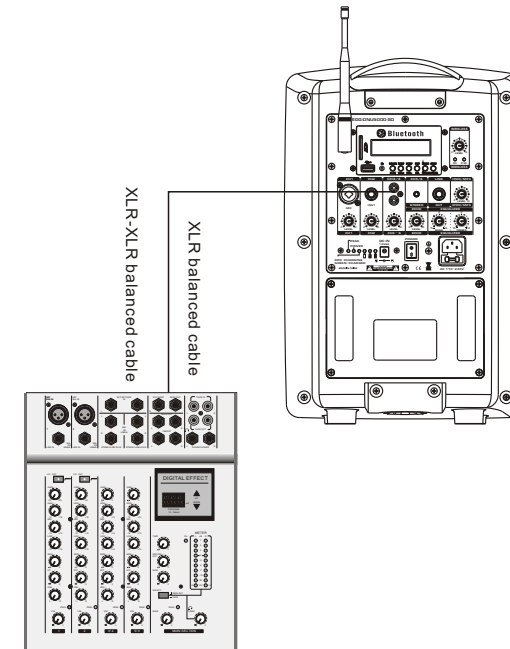
This socket is designed to fit a standard speaker pole mount or tripod speaker stand.

6. Transport handle

This PA speakers come with built-in heavy-duty transportation handle . Use this handle for secure and easy transportation.

7. Battery cover

Typical speaker output setup



How to connect EGG-DNU5000-SO

